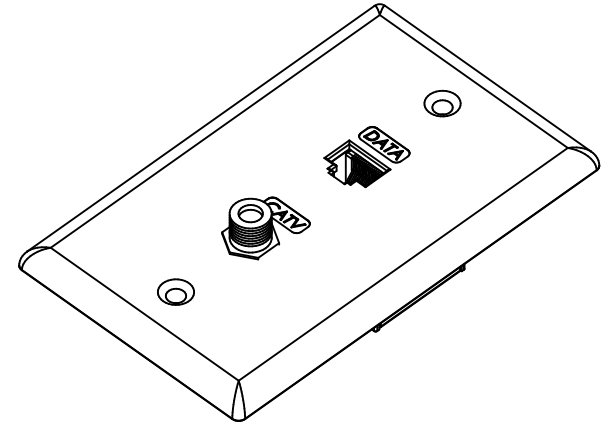
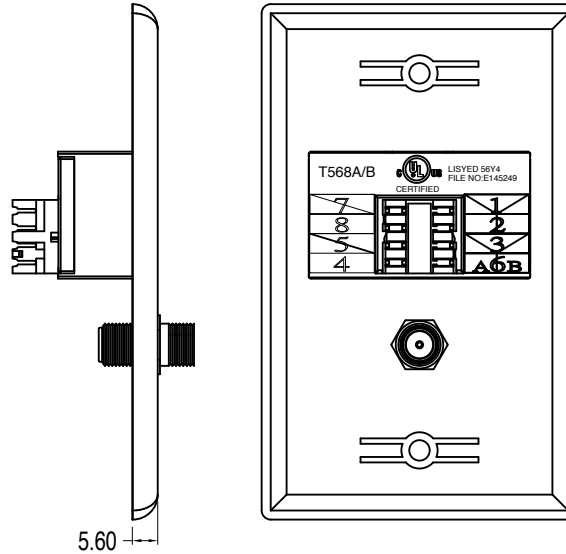
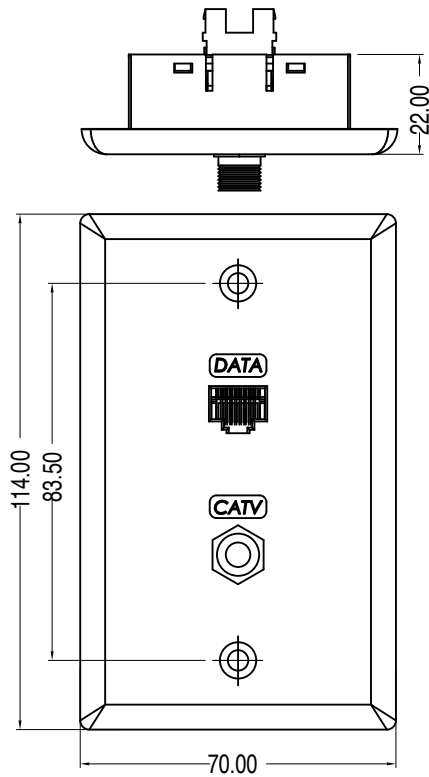


SCP → **Structured Cable Products**
Quality Installations Deserve Quality Products

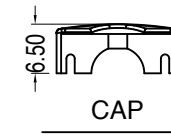
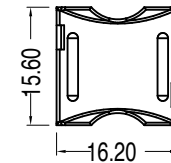
REVISIONS				
ZONE	REV	DESCRIPTION	DATE	APPROVED
	▲			
	▲			



Cat 5e
UL CERTIFIED



ACCORDING TO TIA/EIA-568-B-2
REQUIREMENTS
FILE NO.E145249



CAP

T568A/B		
7 W/BR	(T568A) 1 W/GN	(T568B) W/OR
8 BR	2 GN	OR
5 W/BL	3 W/OR	W/GN
4 BL	6 OR	GN

ENCLOSURE PARTS:



K4 6 X 25mm SCREW X 2

MATERIAL

Front Plate: ABS, UL 94V-0
IDC plastic: PC, UL 94V-0
IDC contact: Phospher Bronze with 200u" Tin over 100u" Nickel undercoat
Spring Wire: Phospher Bronze with 50u" Gold over 100u" Nickel undercoat
Temperature: -40°C ~ 70
Humidity: 10% ~ 90% RH
Front Socket: 750 mating cycles
Idc block: 200 termination cycles

ELECTRICAL

Current rating: 1.5 Amps
Insulation resistance: 500 MOhm
Contact resistance: 20 mOhm
DC resistanc: 0.1 Ohm
Dielectric withstanding voltage: 1000 V

F Connector

Voltage rating: AC 150V
Withstanding voltage: AC 500V one minute
Contect resistance: 5mΩ at DC 1A
Impedance: 75Ω nominal
VSWR: 1.2max.0-1, 500MHz
Insulation resistance:
500MΩ min at DC 500V

COMMON TOLERANCE			SHEET OF		ALL COPY RIGHTS RESERVED	
DIMENSION	CLASS	A	B	SIZE	A4	REV DATE 9-27-2013
	L<=3	±0.05	±0.1	DIA	mm	SCP PART # 121-WT
3<L<=6	±0.05	±0.1	SCALE	3:5	JENNIFER	
6<L<=16	±0.1	±0.15	DATE	2004.02.18		
16<L<=30	±0.1	±0.2	DESIGN		DRAWN	
30<L<=120	±0.15	±0.3			CHECKED	
120<L<=315	±0.2	±0.5				