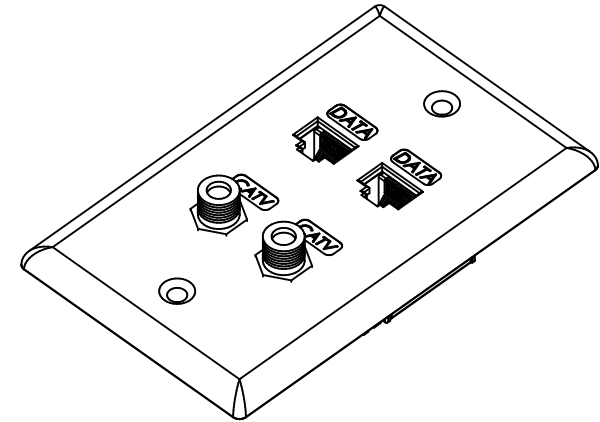
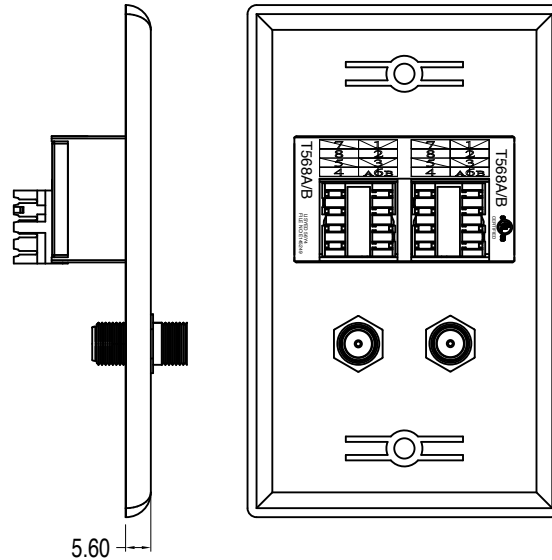
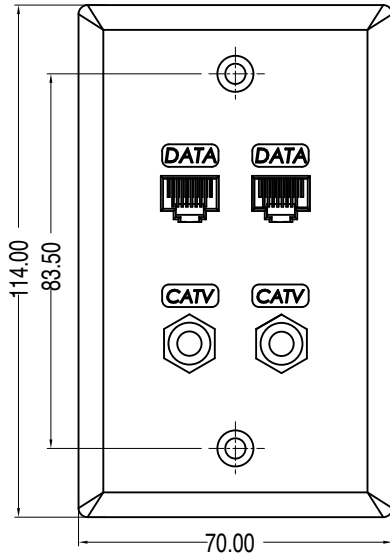


SCP → **Structured Cable Products**
Quality Installations Deserve Quality Products

Part Number: 124-AL
124-WT
Jacket Color: Almond
White



Cat 5e
UL CERTIFIED



ACCORDING TO TIA/EIA-568-B-2
REQUIREMENTS
FILE NO.E145249

ENCLOSURE PARTS:



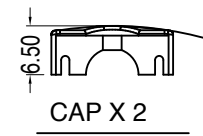
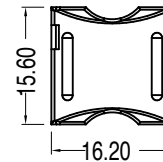
K4 6 X 25mm SCREW X 2

MATERIAL

Front Plate: ABS, UL 94V-0
IDC plastic: PC, UL 94V-0
IDC contact: Phosphor Bronze with 200"
Tin over 100u" Nickel undercoat
Spring Wire: Phosphor Bronze with 50u"
Gold over 100u" Nickel undercoat
Temperature: -40°C ~ 68°C
Humidity: 10% ~ 90% RH
Front Socket: 750 mating cycles
Idc block: 200 termination cycles

ELECTRICAL

Current rating: 1.5 Amps
Insulation resistance: 500 MOhm
Contact resistance: 20 mOhm
DC resistance: 0.1 Ohm
Dielectric withstanding voltage: 1000 V
F Connector
Voltage rating: AC 150V
Withstanding voltage: AC 500V one minute
Contact resistance: 5m Ω at DC 1A
Impedance: 75Ω nominal
VSWR: 1.2max.0-1, 500MHz
Insulation resistance:
500MΩ min at DC 500V



| T568A/B | | | |
|---------|---------|---------|------|
| | (T568A) | (T568B) | |
| 7 | W/BR | 1 W/GN | W/OR |
| 8 | BR | 2 GN | OR |
| 5 | W/BL | 3 W/OR | W/GN |
| 4 | BL | 6 OR | GN |

| COMMON TOLERANCE | | | SHEET OF | | ALL COPY RIGHTS RESERVED | |
|------------------|-------|-------|-----------------|--|-----------------------------|--|
| CLASS | A | B | SIZE A4 | | REV DATE 9-30-2013 Jennifer | |
| DIMENSION | | | DIA mm | | SCP PART # | |
| L<=3 | ±0.05 | ±0.1 | SCALE 3:5 | | 124-XX | |
| 3<L<=6 | ±0.05 | ±0.1 | DATE 2004.02.18 | | | |
| 6<L<=16 | ±0.1 | ±0.15 | DESIGN | | DRAWING NO. | |
| 16<L<=30 | ±0.1 | ±0.2 | DRAWN | | DRAWN | |
| 30<L<=120 | ±0.15 | ±0.3 | CHECKED | | CHECKED | |
| 120<L<=315 | ±0.2 | ±0.5 | | | | |