

SPECIFICATIONS



S/N: **940-15B**

Item Description

2/27/2019

15 FT/ 4.5 M ULTRA SLIM ACTIVE HDMI CABLE- HIGH SPEED w/ETHERNET- LOW PROFILE CONNECTOR- 4MM CABLE OD, ACTIVE, PVC JKT- 15FT/ 4.5M

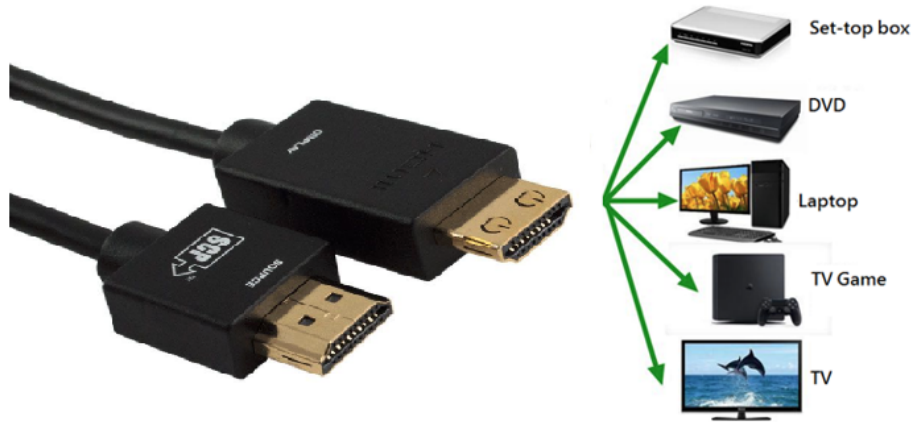
- ◆ Rated Temperature (23.89 Celsius): 75 Fahrenheit
- ◆ Product Standard Certification: UL & c(UL)
- ◆ Flame Test: CL2 & FT4

Key Features

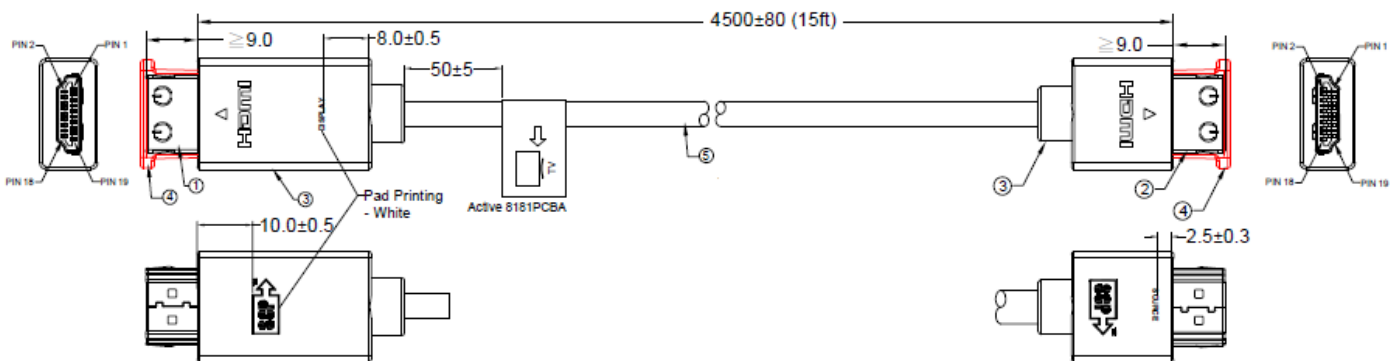
- ◆ Supports resolution up to 4K (4096x2160) @60Hz 4:4:4
- ◆ Max Bandwidth 18G
- ◆ Max Clock rate 600MHz
- ◆ UL CL2 In-Wall Rated
- ◆ HDMI Ethernet Channel and Audio Return Channel
- ◆ Blue Ray, 3D Support
- ◆ 2.2 HDCP Compliant
- ◆ CEC Support Functionality
- ◆ DTS-HD Master Audio Support
- ◆ Dolby Digital Plus Support
- ◆ 32 audio channels for a multi-dimensional immersive audio experience
- ◆ Simultaneous delivery of dual video streams to multiple users on the same screen
- ◆ Support for the wide angle theatrical 21:9 video aspect ratio
- ◆ Snug-Tite Plug

Structured Cable Products Inc.

Application



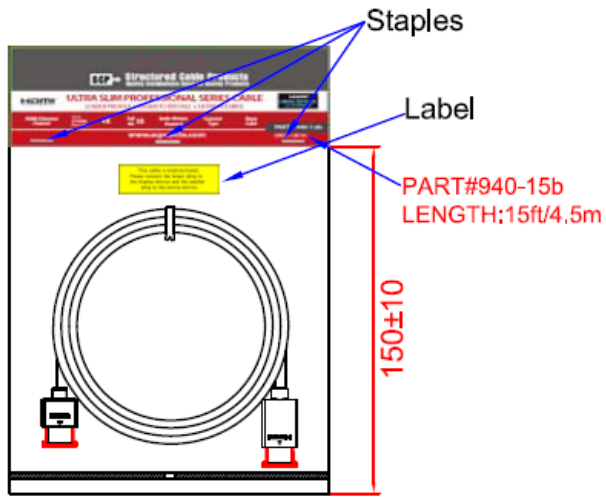
Specifications



No.	Type	Description
1	Plug	Snug- Tite Gold plated W/Chipset
2	Plug	Snug- Tite Gold plated
3	Molding	PVC Black
4	Plastic cap	Transparent
5	Cable	34/30AWG OD4.5mm UL CL2 FT4, 50FT

Packing

- Header Card w/ PE bag; 10pcs



- 60PCS/Carton

