



# Structured Cable Products®

Quality Installations Deserve Quality Products

# Installation Instructions

Active Optical 4K HDR HDMI Cable

Fiber/Copper Hybrid with Detachable Connector

## | MODELS |

**995AOC-XX-LSZH** (Low Smoke Zero Halogen)

**995AOC-XX** (CL3 Version)

**995AOC-Plenum** (CMP Plenum)

**Available Lengths: 10m (33ft), 15m (50ft), 20m (66ft), 30m (98ft)**

Snug-Tite™ Grip is a trademark of Structured Cable Products Inc.

The terms HDMI and HDMI High-Definition Multimedia Interface, and the HDMI Logo are trademarks or registered trademarks of HDMI Licensing LLC in the United States and other countries.

Other Trademarks and trade names may be used that refer to entities claiming the marks and names or their products. Structured Cable Products Inc. disclaims proprietary interest in the marks and names of others.



\*For the latest information on our products and a list of SCP distributors, visit our website where updates to this user manual may be found.

[www.scpcat5e.com](http://www.scpcat5e.com)  
[Sales@scpcat5e.com](mailto:Sales@scpcat5e.com)

☎ Toll Free USA  
1-866-470-5742

# 995AOC

## Plug and Play Installation

Congratulations on purchasing this SCP **995AOC** HDMI cable.

This SCP Active Optical 4K HDR HDMI cable is the most advanced and competitive long reach professional HDMI solution on the market. The fiber/copper cable is thinner, more flexible, and outperforms other cables in its class.

The **995AOC** cable supports the latest HDMI standards including 4K@60, 4:4:4, 18Gbps, HDR, Multi-Channel Audio, EDID, CEC, HDCP2.2, ARC and HEAC.

The **995AOC** cable features a light-weight CL3 In-wall rated jacket, Low Smoke Zero Halogen (LSZH) jacket that is compliant with EN50575:2014 or CMP Plenum rated jacket. The **995AOC** features a micro-HDMI (Type D) connector on the display/sink side with a unique detachable Type D/A adapter. This design allows you to easily pull the cable (using the supplied SCP Pulling Tool) through conduit/pipe.

The **995AOC** also features the SCP exclusive Snug-Tite™ Grip that keeps both connector ends securely connected to their devices for maximum signal integrity.

## Key Features

- Snug-Tite™ Grip for Secure Connectivity
- 4K@ 60 4: 4 18Gbps
- Plug and Play Installation
- Thinner, Lighter and More Flexible
- Detachable Connector – Type D/A Adapter
- Includes Pulling Capsule for Easy Installation through Conduit & Tight Spaces
- Reduced Risk of EMI & RFI for Maximum Signal Integrity
- No External Power Required
- Optional USB Power on Rx Side
- CL3 In-wall rated, Low Smoke Zero Halogen EN50575:2014 compliant or CMP Plenum rated



Figure 1: HDMI Connector plugs  
(Source and Display)

## Applications

- Digital Signage
- LED signboards in streets and in stadiums
- Medical Imaging Equipment
- Airplane On- board Video System
- Home Theater
- Blu-ray, 3 D video, Projector, Set- up box, DVR, Game Consoles and Computer Systems
- TV Broadcast Station
- Conference Room Video Equipment
- Security systems

## Included In Box

- (1pc) SCP Active Optical 4 K HDR HDMI Cable ( Series: 995 AOC) with CL3 In- wall rated jacket, Low Smoke Zero Halogen ( LSZH) Jacket or CMP Plenum rated jacket
- (1pc) Detachable Adapter – Type D/ A
- (1pc) SCP Pulling Capsule
- (1pc) USB Power Cord for optional 5 V power supply
- (1pc) Installation Manual

## Cable Dimensions

The 995AOC includes four optical fibers and six wires (28#/2C, 26#/2C,24#/2C) with compact size HDMI connectors. On the display side, the micro HDMI connector enables smooth pulling of the cable. The SOURCE end connects to the source (for example, a DVD, Blu-ray or game console box) and the DISPLAY end to the acceptor (for example, a projector, an LCD display or a tablet device), see Figure 2 (note that SOURCE appears here as an example).

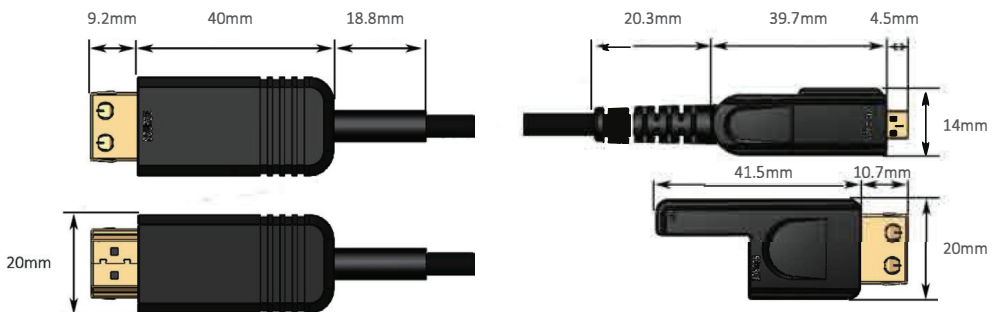


Figure 2: HDMI Connectors - SOURCE and DISPLAY (with Dimensions in mm)

# 995AOC Plug and Play Installation

Before installing the cable, make sure that you have an HDMI graphic card or devices with an HDMI port (for example, a PC, laptop, DVD/Blue-ray player or any other video/audio signal source device).



Optical fiber cable is not robust physically compared to conventional copper cable materials. Even though this cable is designed to be resistant to artificial strengths on the cable, **995AOC** can be damaged if it is excessively pinched, twisted or kinked when being installed and after being installed. **Take care not to bend or twist the cable tightly.**

When **995AOC** is installed into the conduit, the fiber pulling strength and the bending radius are the key conditions to safe installation of the cable.

Do not disassemble or modify the products, especially the HDMI connector head parts.

## I To install the 995AOC

1. Unpack the cable from the package with care and remove the cable tie.
2. Place the micro-HDMI (Type D) connector inside the Pulling Tool and close its cover.



Note that you should pull the cable from the display side (as shown in Figure 3), and you have to make sure that the cable polarity is correct (tagged Display if pulling the display side).

3. Attach the pulling cable to the Pulling Tool.



I . Place the Micro HDMI connector inside the Pulling Tool.

II . Close the Pulling Tool cover

III . Insert the pulling cable through the Pulling Tool ring.

Figure 3: Attaching the Pulling Tool

4. Carefully install the cable (for example, in the wall or conduit or under the floor).
5. Connect the:  
DISPLAY HDMI adaptor to the micro-HDMI connector DISPLAY end of the cable.
6. Secure the connection on each side using the supplied locking screws.
7. Plug the SOURCE connector head of the cable into the source devices.  
**Do not plug the SOURCE connector to the display device.**
8. Plug the DISPLAY connector head of the cable into the display devices.  
**Do not plug the DISPLAY connector to the source device.**
9. Switch on the power of the source and display devices.
10. If required, connect an external power source via the DC cable connector on the DISPLAY side.

## I Troubleshooting

If you have encountered a problem, check that:

- The source and display devices are both switched on
- Both HDMI connector heads are fully plugged into the devices
- The cable or its jacket is not physically damaged
- The cable is not bent or kinked



Note that it is important to connect the cable correctly as marked on the end of each connector: SOURCE to the source side and DISPLAY to the acceptor side.

## I Specifications

### Audio and Power

**Video Resolution:** Up to 4K@60Hz (4:4:4)

**Embedded Audio Support:** PCM 8ch, Dolby Digital True HD, DTS-HD Master Audio

**HDMI Support:** HDCP 2.2, HDR, EDID, CEC

### Cable Assembly

**HDMI Connector:** Male HDMI Type A Connector

**Dimensions:** Type D: 44.2mm x 12.7mm x 7.1mm W, D, H  
Type A : 48.2mm x 20mm x 10mm W, D, H  
Pulling Tool: 55.2mm x 17.5mm x 13mm W, D, H

**Cable Structure:** Hybrid Optical Fiber Cable

**Cable Jacket Material:** CL3- PVC, LSZH (Low Smoke Zero Halogen) EN50575:2014 or CMP Plenum

**Cable Jacket Color:** black

**Cable Diameter:** 4.5 mm

**Cable Bending Radius:** 2 cm

**Cable Pulling Strength:** 300N (30kg, 66lbs)

**DC Cable:** External 5V power supply cable

### Power

**Power Supply HDMI:** Power is supplied from an external USB connector on the display side

**Power Consumption:** 0.25W max.

### General

**Operating Temperature:** 0° to +50°C (32° to 122°F)

**Storage Temperature:** -30° to +70°C (-22° to 158°F)

**Operating Humidity:** 5% to 85%, RHL non-condensing

**Available Length:** 10m (33ft), 15m (50ft), 20m (66ft), 30m (98ft)