

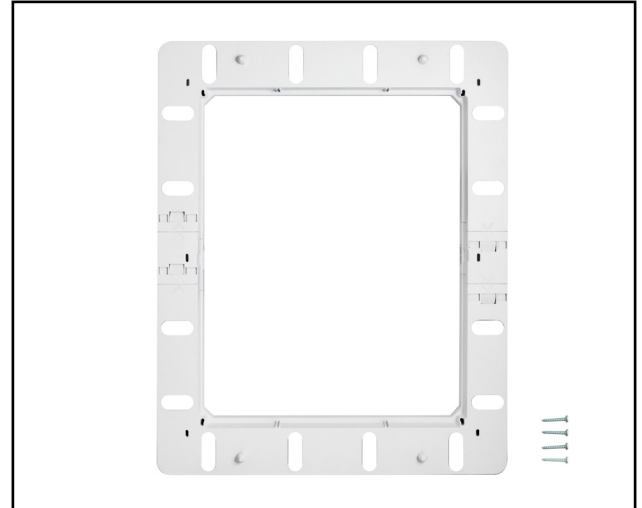
18" DEEP EXTENSION FRAME 1.25" INCREASE INTERIOR DEPTH

SCP PART#: **HCC-P18-DFE**

PRODUCT SUMMARY

HCC-P18-DFE frame increases interior depth of Media Enclosure by 1" to gain more interior space. Adding DFE frame increases interior depth from 4.00" to 5.25" clearance inside enclosure.

This optional frame increases inside depth for SCP Low Profile Series Enclosures. Ideally used to optimize interior space for larger components, required by major cable companies. Cable company equipment such as wifi gateway towers, larger modems etc. Streaming devices and future proofing technology make the DFE frame an integral part for today's homes.



PRODUCT DIMENSIONS

SIZE: 23.25"H x 18.50"L x 1.00"W

FEATURES & BENEFITS

- Increases interior depth by 1" for more clearance
- Can be added to current models: HCC-P18-LF
- Stackable frames allow maximizing depth up to 6" when stacking 2 frames
- Snap together design
- Easily installs in seconds
- Convert your low profile frame HCC-P18-LF to increase interior depth in 1" increments
- Paintable
- UL listed, 1863 compliant



CONFIGURATION

Part #	Description
HCC-P18-DFE	18" Deep extension frame
HCC-P18-LF	18" Plastic Low Profile Cover
HCC-P18-E	18" Plastic Enclosure

