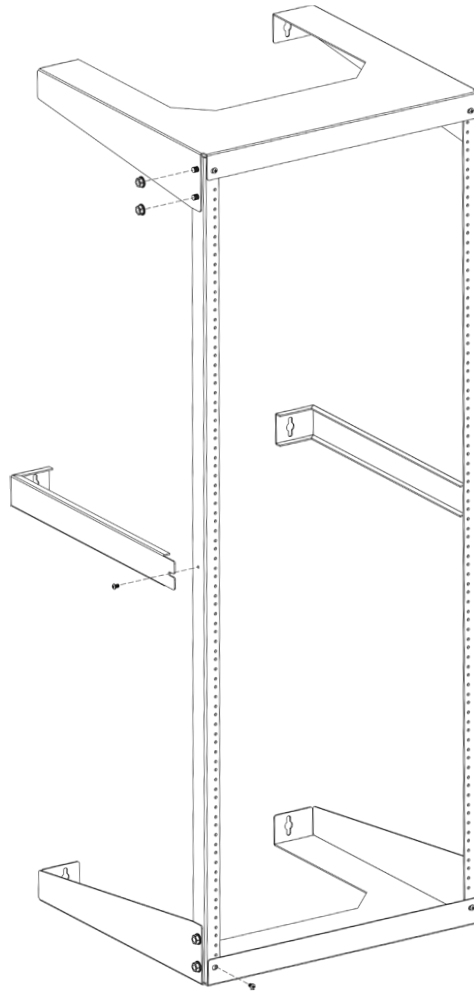


30U WALL MOUNT RACK

INSTALLATION MANUAL



INSTALLATION INSTRUCTIONS

Use flange nuts and #10-32 x 1/2" screws to assemble the rack

Determine the appropriate mounting location for the rack

Drill six holes on wall according to the position of mounting holes on rear of top & bottom supports, and rail support brackets

Insert anchors (not included) into the drilled holes until they are flush with the wall

Use screws (not included) to secure the rack onto the wall



Structured Cable Products®
Quality Installations Deserve Quality Products

www.scpcat5e.com