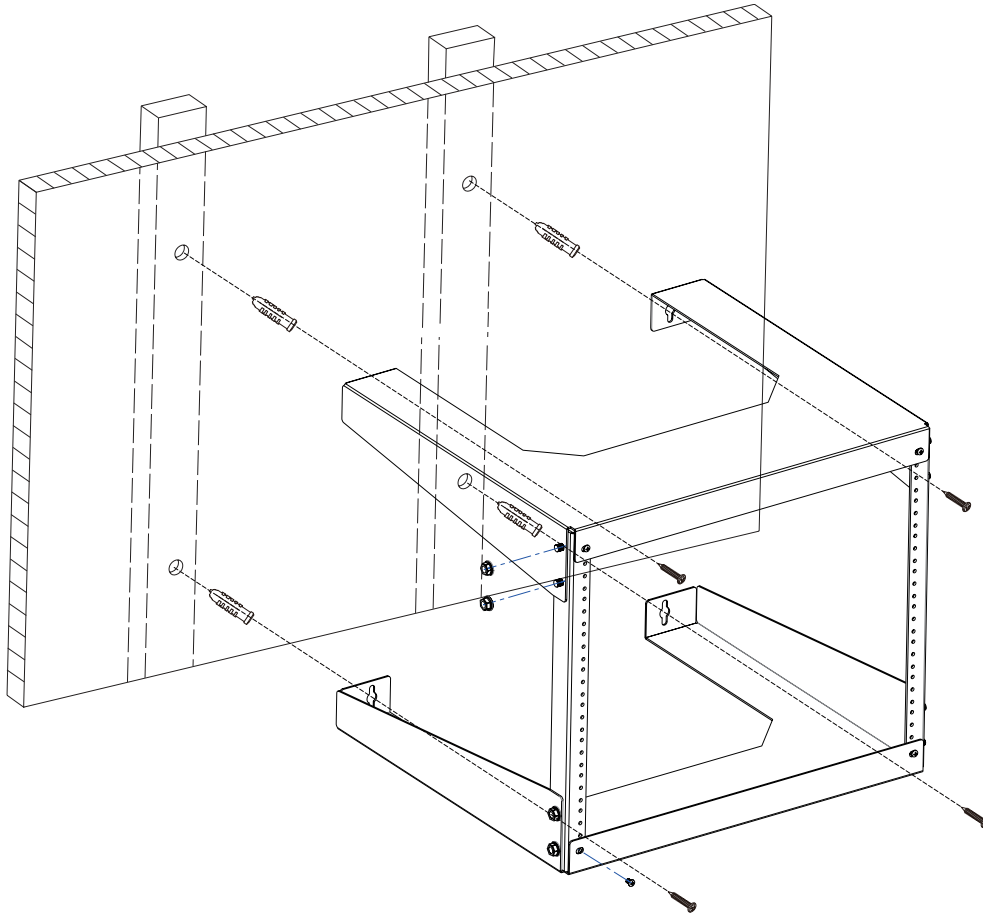


# 8U, 15U WALL MOUNT RACK INSTALLATION MANUAL



## INSTALLATION INSTRUCTIONS

Use flange nuts and #10-32 x 1/2" screws to assemble the rack

Determine the appropriate mounting location for the rack

Drill four holes on wall according to the position of mounting holes on rear of top & bottom supports  
Insert anchors (not included) into the drilled holes until they are flush with the wall

Use screws (not included) to secure the rack onto the wall



**Structured Cable Products®**  
Quality Installations Deserve Quality Products

[www.scpcat5e.com](http://www.scpcat5e.com)