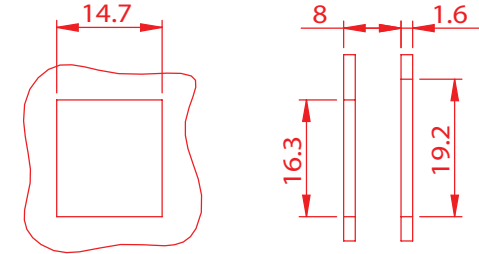


SUGGESTED MOUNTING CUTOUT



MATERIAL

COUPLER HOUSING : POLYCARBONATE RESIN HIGH-IMPACT UL94V-0 THERMOPLASTIC
 CONTACT HOLDER : ABS HIGH-IMPACT UL94V-0 THERMOPLASTIC
 SPRING WIRE : PHOSPHOR BRONZE 5100W TEMPER WIRE, $\phi=0.45\text{MM}$, 3U"

AU / 30U" PDNI OVER 60U" NICKEL UNDERCOAT

PHYSICAL CHARACTERISTICS

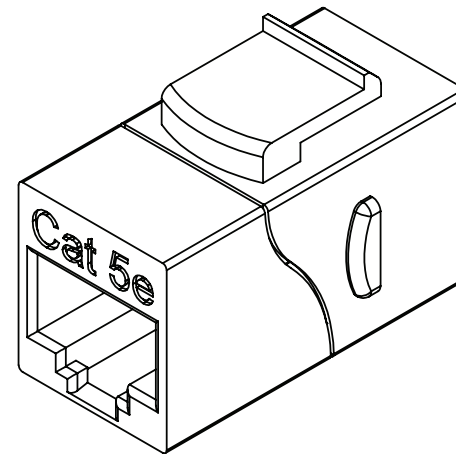
INSERTION LIFE : 750 MATING CYCLES WITH FCC COMPLIANT RJ-45 PLUG.
 CONTACT FORCE : 100 GRAMS WITH FCC COMPLIANT RJ-45 PLUG.
 PLUG RETENTION FORCE : 11 LBF MIN.
 OPERATING TEMPERATURE RANGE : -10 °C TO 60 °C.
 STORAGE TEMPERATURE RANGE : -40 °C TO 68 °C.
 HUMIDITY : 10%~90%RH.

ELECTRICAL

INSULATION RESISTANCE : 500 M Ω .
 DIELECTRIC WITHSTANDING VOLTAGE : 1000 V AC.
 DC CURRENT RATING : 1.5 Amps.
 DC RESISTANCE : 0.1 Ω .
 CONTACT RESISTANCE : 20m Ω .

NOTE

- WILL NOT SUPPORT CHANNEL SHORTER THAN 15M.
- DO NOT INSERT RJ-11 6P PLUG.



ACCORDING TO ANSI/TIA-568-C.2
 REQUIREMENTS
 C5e CHANNEL COMPLIANT



Cat 5e
 56Y4
 E145249



Scale	2:1	All Copy Rights Reserved	
3rd Angle Projection		SCP Structured Cable Products Quality Installations Deserve Quality Products	
Unit	mm	Title	
Date	2010/10/17	104A	
Tolerance		Drawn by	Checked by
~20	~50	Kata Lo	
±0.2	±0.4		
~150	150~		
±0.5	±1.5		
ANGLE	±2°		