

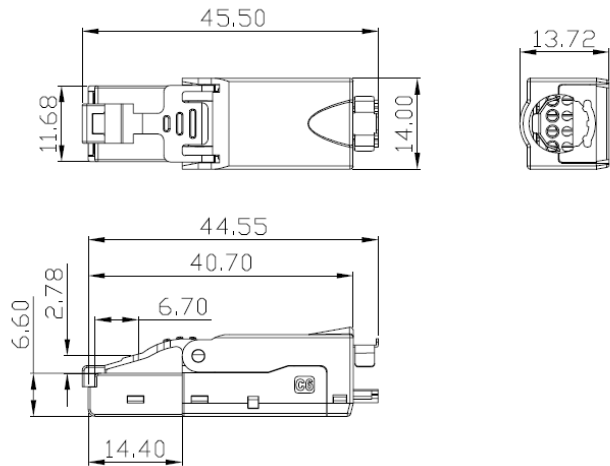
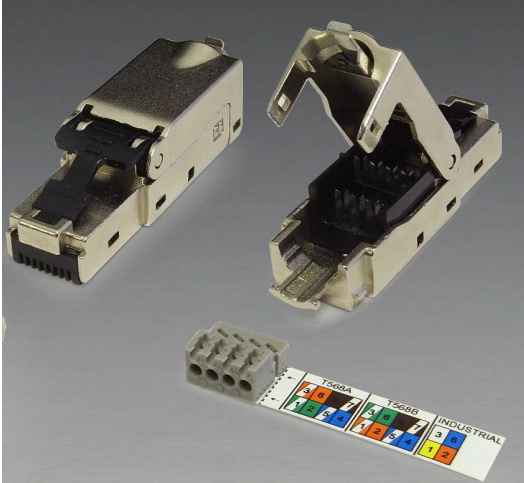
# SPECIFICATION

For  
SCP Part #: 10G-FP

## Product Details

**Part No.:** 10G-FP

**Description:** Pro-Grade 10G RJ45 Field Plug - CAT6A, CAT7/7A, CAT6 FTP -Full Shield, 1 Peice Design, Load Bar, Strain Relief AWG 22-26, Class Ea Rated - 1Ea/Bag



## Specifications

Comply with IEC 60603-7-5  
Plug Housing: Zinc Alloy  
Plug Pins: Phosphor bronze with 50u" gold plating  
Durability: 750 mechanical cycles  
Current rating: 1.5A  
Dielectric withstanding voltage: 1000V DC  
Insulation resistance: 500M  $\Omega$  MIN.  
Contact resistance: 20m  $\Omega$  MAX

## Features

Transmission performance: Cat.6A /Class EA  
Wiring label: TIA 568A/B & PNO  
Termination capability:  
    22~26 AWG solid wire  
    22 ~27 AWG stranded wire  
Re-termination capability: 5 times  
Supporting cable diameter: 6~9mm  
UL Listed

[www.scp5e.com](http://www.scp5e.com)

[sales@scpcat5e.com](mailto:sales@scpcat5e.com)

Direct: 954-327-5770

Toll Free: 866-470-5742



**Structured Cable Products™**  
Quality Installations Deserve Quality Products