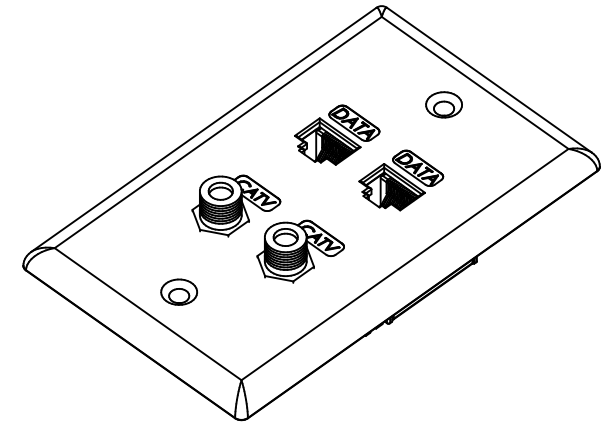


REVISIONS				
ZONE	REV	DESCRIPTION	DATE	APPROVED
	▲			
	▲			

SCP → **Structured Cable Products™**
Quality Installations Deserve Quality Products

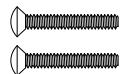


Cat 5e
UL CERTIFIED



ACCORDING TO TIA/EIA-568-B-2
REQUIREMENTS
FILE NO.E145249

ENCLOSURE PARTS:



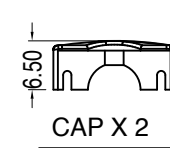
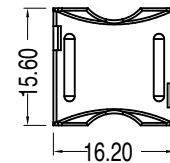
K4 6 X 25mm SCREW X 2

MATERIAL

Front Plate: ABS, UL 94V-0
IDC plastic: PC, UL 94V-0
IDC contact: Phosphor Bronze with 200"
Tin over 100u" Nickel undercoat
Spring Wire: Phosphor Bronze with 50u"
Gold over 100u" Nickel undercoat
Temperature: -40°C ~ 68°C
Humidity: 10% ~ 90% RH
Front Socket: 750 mating cycles
Idc block: 200 termination cycles

ELECTRICAL

Current rating: 1.5 Amps
Insulation resistance: 500 MOhm
Contact resistance: 20 mOhm
DC resistance: 0.1 Ohm
Dielectric withstanding voltage: 1000 V
F Connector
Voltage rating: AC 150V
Withstanding voltage: AC 500V one minute
Contact resistance: 5mΩ at DC 1A
Impedance: 75Ω nominal
VSWR: 1.2max.0-1, 500MHz
Insulation resistance:
500MΩ min at DC 500V



CAP X 2

T568A/B			
	(T568A)	(T568B)	
7 W/BR	1 W/GN	W/OR	
8 BR	2 GN	OR	
5 W/BL	3 W/OR	W/GN	
4 BL	6 OR	GN	

COMMON TOLERANCE			SHEET OF		ALL COPY RIGHTS RESERVED	
CLASS	A	B	SIZE	A4	REV DATE	9-30-2013 Jennifer
DIMENSION			DIA	mm	SCP PART #	124-WT
L<=3	±0.05	±0.1	SCALE	3:5	DRAWING NO.	
3<L<=6	±0.05	±0.1	DATE	2004.02.18		
6<L<=16	±0.1	±0.15	DESIGN		DRAWN	CHECKED
16<L<=30	±0.1	±0.2				
30<L<=120	±0.15	±0.3				
120<L<=315	±0.2	±0.5				

SCP → **Structured Cable Products™**
Quality Installations Deserve Quality Products