

1 GHZ F-CONNECTOR - KEYSTONE SNAP-IN INSERT, FEMALE-FEMALE,  
 NICKEL PLATED, UL, AVAILABLE IN 5 COLORS - 50 EA/PER PACK

SCP PART#:  
**209-XX**

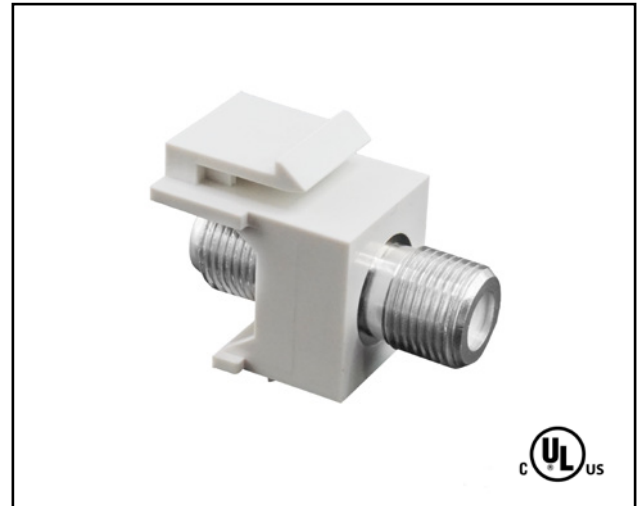
## PRODUCT SUMMARY

SCP 209-XX Series Keystone F-Connector snap insert fits all keystone and decorator style wall plates.

Pass through design Coax F-81 female to female is ideal for tv signal, satellite, and home theater applications.

SCP 209-XX is 1GHz, nickel plated, mounted into plastic housing for easy snap into wall plates.

Fits all other installed telecommunications wallplates, outlets, surface mount boxes and configurable patch panels.

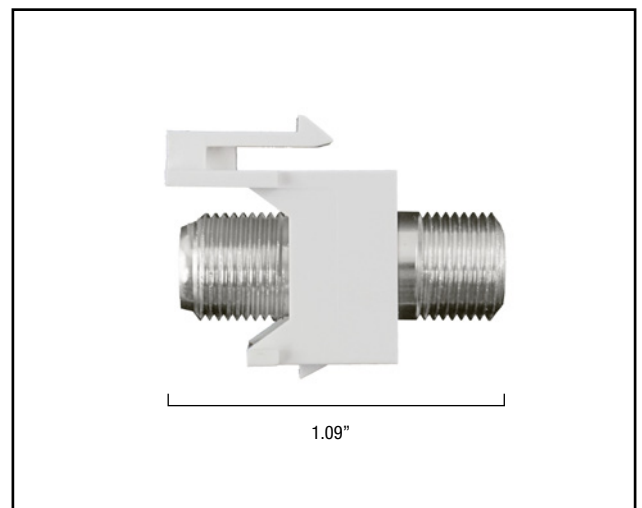


## PRODUCT DIMENSIONS

SIZE: 1.09" L x 0.58" W x 0.75" H  
 2.7cm L x 1.5cm W x 1.6cm H

## FEATURES & BENEFITS

- 1GHz
- Nickel plated F-81 barrel
- 50Ω electrical impedance
- Female to Female
- 50μ gold plated.
- Frequency range dc -1.0 GHz (nickel)
- Insertion loss ≤ 0.2 dB @ 1.0 GHz (nickel)
- Return loss ≥ 26 dB @ 1.0 GHz (nickel)
- Available in 10 packs
- 5 colors available
- cUL us listed



## CONFIGURATION

Part #	Description
209-BK	F-CONN INSERT - BLACK
209-BN	F-CONN INSERT - BROWN
209-WT	F-CONN INSERT - WHITE
209-LA	F-CONN INSERT - LIGHT ALMOND
209-IV	F-CONN INSERT - IVORY