



8-Port Fast Ethernet Switch

Description:

The 10/100Mbps Fast Ethernet Switch is designed to provide switching technology at Fast Ethernet speeds. It enables users to share printers, files and access to the high speed network services such as DSL or ISDN within the home or office. The Switches provide plug-and-play installation and a user-friendly design with LEDs to indicate power, Link/Activity and 100Mbps. In addition, the auto MDIX function allows Switch to auto-detect uplink to easily cascade additional hubs, switches and routers from any port.

Installation: (see Fig. 1)

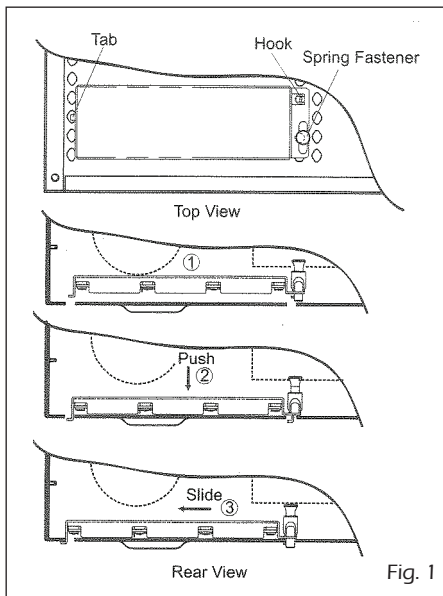
1. Place the module horizontally.
2. Push the module so the hook and tabs will fall into the rail slots of the enclosure.
3. Slide the module LEFT and the spring fastener will automatically lock the module at the desired position.



View-1



View-2



Part No.	Description
ESW-1	8 Port 10/100 Ethernet Switch

Key Features & Specification

- Complaint IEEE 802.3 10Base-T and IEEE 802.3u 100Base-TX standards.
- "Store and Forward" architecture filters
- 10/100Mbps with Full/Half Duplex autodetection
- IEEE 802.3x or Back Pressure (HDX) Flow Control
- IK MAC Address with automatic learning and aging
- Throughput: 148800 packets/sec at 100Mbps; r 144880 packets/sec. at 10Mbps (64 Bytes/Package)
- Emission Certification: FCC/CE/VCCI/BSMI
- Operating Environment:
- Temperature: 0 ~ 50 C ; Humidity: 5~90% RH



View-3

Most of our products are ROHS compliant





8-Port Fast Ethernet Switch

Setup the network

To establish the network connections, these ports require Category 5 or higher level patch cords. Connect one end of the patch cord to individual workstation, server or other Ethernet device; connect the other end to any port of the Switch. (See Fig.2)

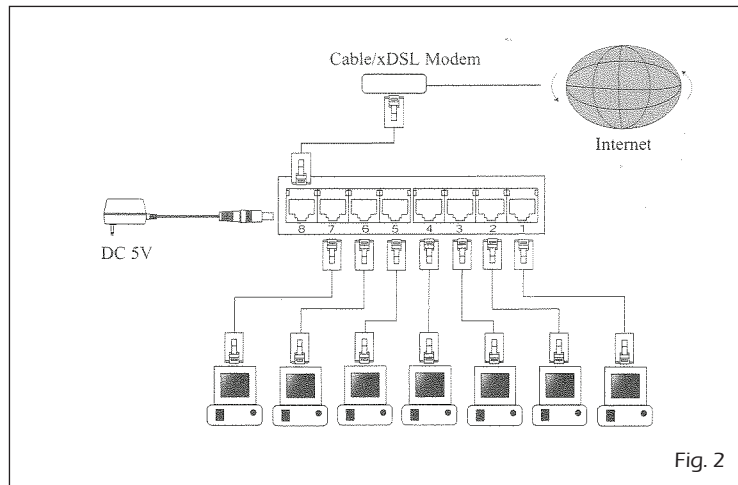


Fig. 2

Note - Maximum 100 meters per port Hub-to-Hub or Node-to-Hub cable length.

Note - Connect the AC/DC adapter 5VDC, 600mA provided to proper power source.

Option- There is also a DC power cord provided. Connect one end to the Switch and the other end to DC Power Module.

LED Indications

LED	Status	Description
POWER	ON	Power On
LINK/ACT	ON	A valid connection
	Blink	Receiving Packets
FDX/COL	ON	FDX connection
	OFF	HDX connection
	Blink	Collision upon HDX mode

Auto MDIX (Auto Cross Over)

The "Auto Cross Over" means that the port(s) can automatically establish the link with other hub/switch or Ethernet adapters over either straight through or cross over Cat. 5 cable. It is convenient to easily setup the network, even on port expansion.

Most of our products are ROHS compliant