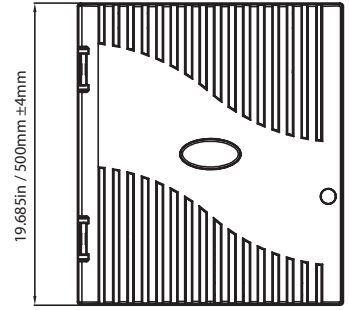
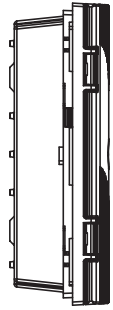
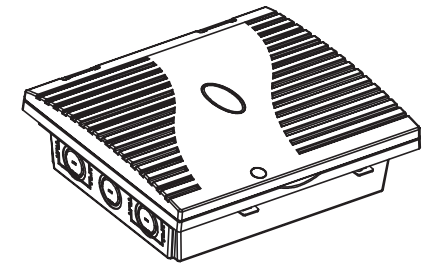
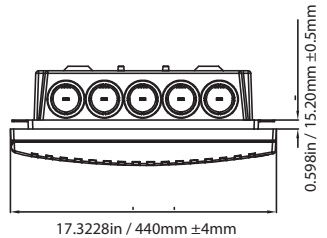


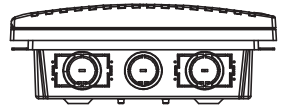
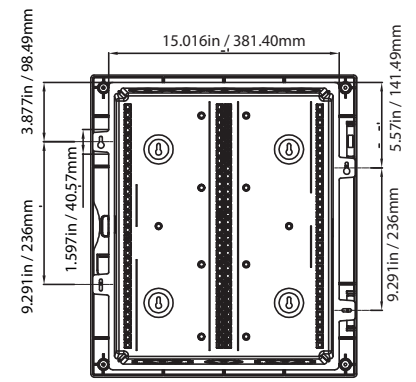
LIMITS	DEGREE CLASS	✓			
		A	B	C	D
10	以下	±0.02	±0.05	±0.10	±0.15
10~50	以下	±0.05	±0.10	±0.15	±0.20
50~120	以下	±0.10	±0.15	±0.20	±0.25
120~300	以下	±0.15	±0.20	±0.25	±0.30
300~500	以下	±0.20	±0.25	±0.30	±0.50
500~1000	以下	±0.25	±0.30	±0.35	±0.60
1000~1500	以下	±0.30	±0.35	±0.40	±0.70
ANGEL		±0.2°	±0.5°	±1.0°	±1.5°

SCP → **Structured Cable Products™**
Quality Installations Deserve Quality Products

ZONE	REV.	DESCRIPTION	DATE	APPROVED
	A	INITIAL RELEASE	17. 03. 09	



6.462in / 164.14mm ±4mm



MODEL: HCC-18-KIT-ECPL	TITLE:	ELMA 1 <input checked="" type="checkbox"/> ELMA2 <input type="checkbox"/>			
DRAWN:	PART NO.	/		UNIT	MM
DESIGNED:	MATERIAL			SCALE	1 : 1
CHECKED:	FINISH	/		SHEET	1 OF 1
	TOOLING NO.			SIZE	A4
APPROVED:	DWG NO.				