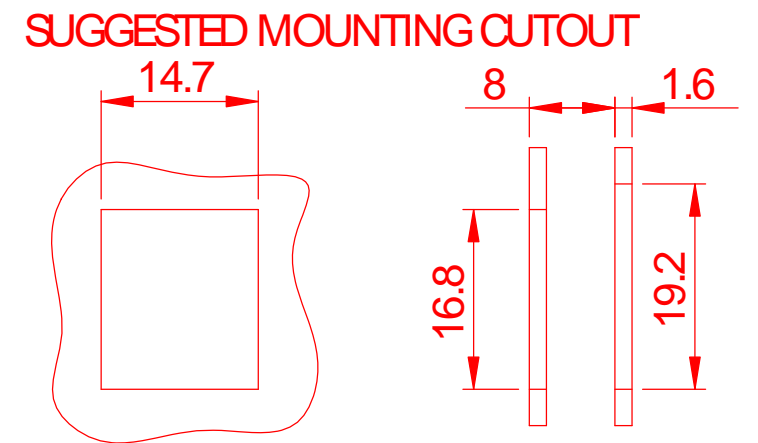
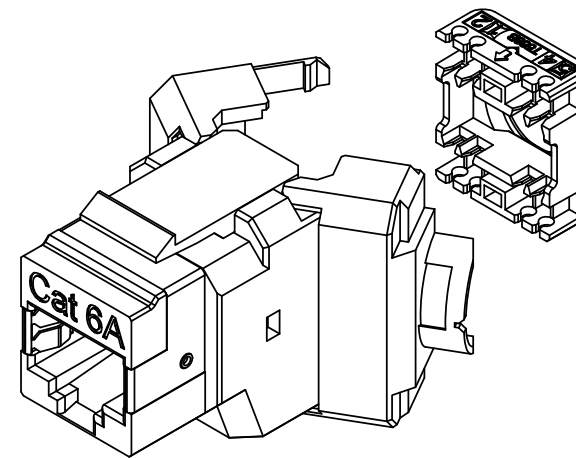
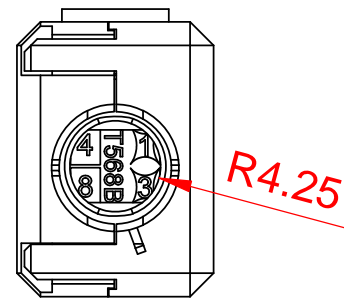
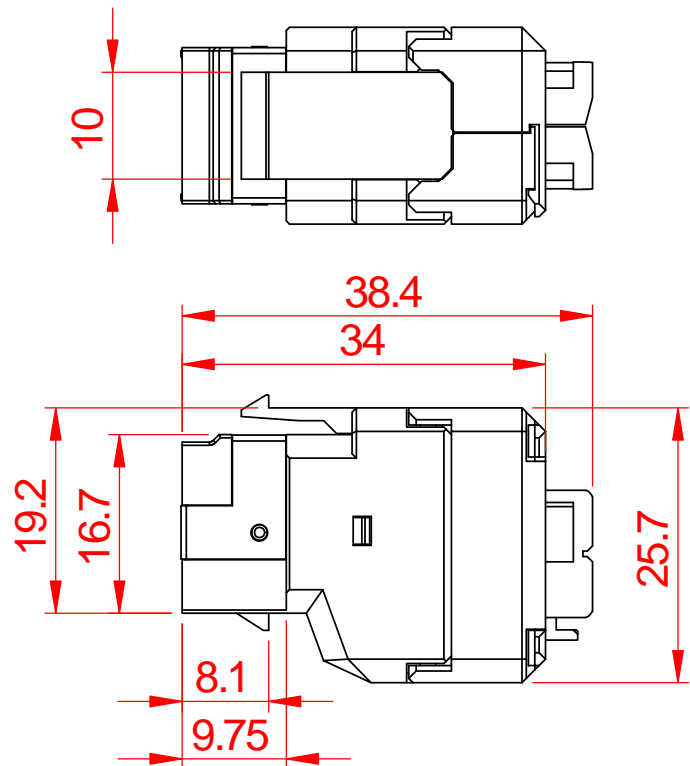
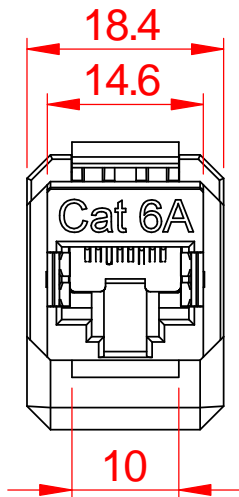
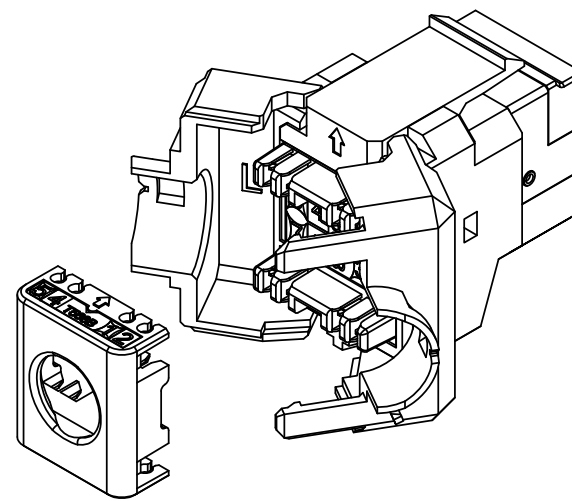


PRODUCTION



ACCORDING TO : ANSI/TIA-568-C.2
ISO/IEC 11801 2nd Edition
IEC 60603-7



MATERIAL

BRACKET : SUS304.
KEYSTONE JACK HOUSING : ZINE ALLOYS ZAMAC3.
SPRING WIRE : PHOSPHOR BRONZE, 50U" GOLD PLATED.
IDC PLASTIC : PC, UL94V-0.
IDC CONTACT : PHOSPHOR BRONZE, TIN OVER NICKEL UNDERCOAT.

PHYSICAL CHARACTERISTICS

INSERTION LIFE : 750 MATING CYCLES WITH FCC COMPLIANT 8P PLUG.
CONTACT FORCE : 100 GRAMS WITH FCC COMPLIANT 8P PLUG.
PLUG RETENTION FORCE : 11 LBF MIN.
DURABILITY : 30 TERMINATION CYCLES.
CONTACT COMPATIBILITY : ACCOMMODATES 22 TO 24 AWG SOLID.
OPERATING TEMPERATURE RANGE : -10 C TO 60° C.
STORAGE TEMPERATURE RANGE : -40 C TO 68° C.
HUMIDITY : 10%~90%RH.

ELECTRICAL

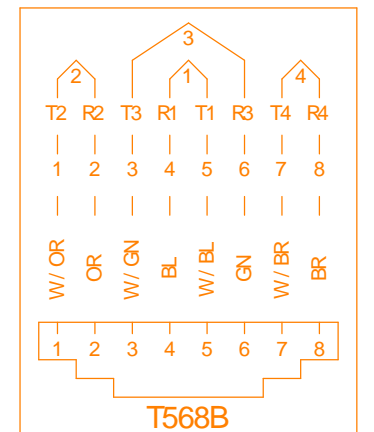
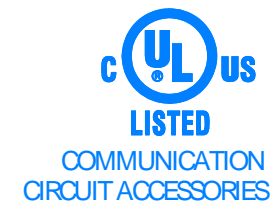
INSULATION RESISTANCE : 500 M
DIELECTRIC WITHSTANDING VOLTAGE : 1000 V.
DC CURRENT RATING : 1.5 Amps.
DC RESISTANCE : 0.1
CONTACT RESISTANCE : 20m

NOTE

- WILL NOT SUPPORT CHANNEL SHORTER THAN 15M.
- DO NOT INSERT RJ-11 6P PLUG.

Cat 6A

56Y4
E145249



ENCLOSURE
NYLON CABLE TIE X 1 PC



Rev Date: 06/2013
Modified by Jennifer

Scale	1:1
3rd Angle Projection	
Unit	mm
Date	2012/12/28
Tolerance	
~20	~50
~150	150~
±0.2	±0.4
±0.5	±1.5
ANGLE	±2°

All Copy Rights Reserved	
SCP → Structured Cable Products Quality Installations Deserve Quality Products	
SCP Part No.	
CAT6A-SH-JACK	
Drawn by	Checked by
Ted	Andrew