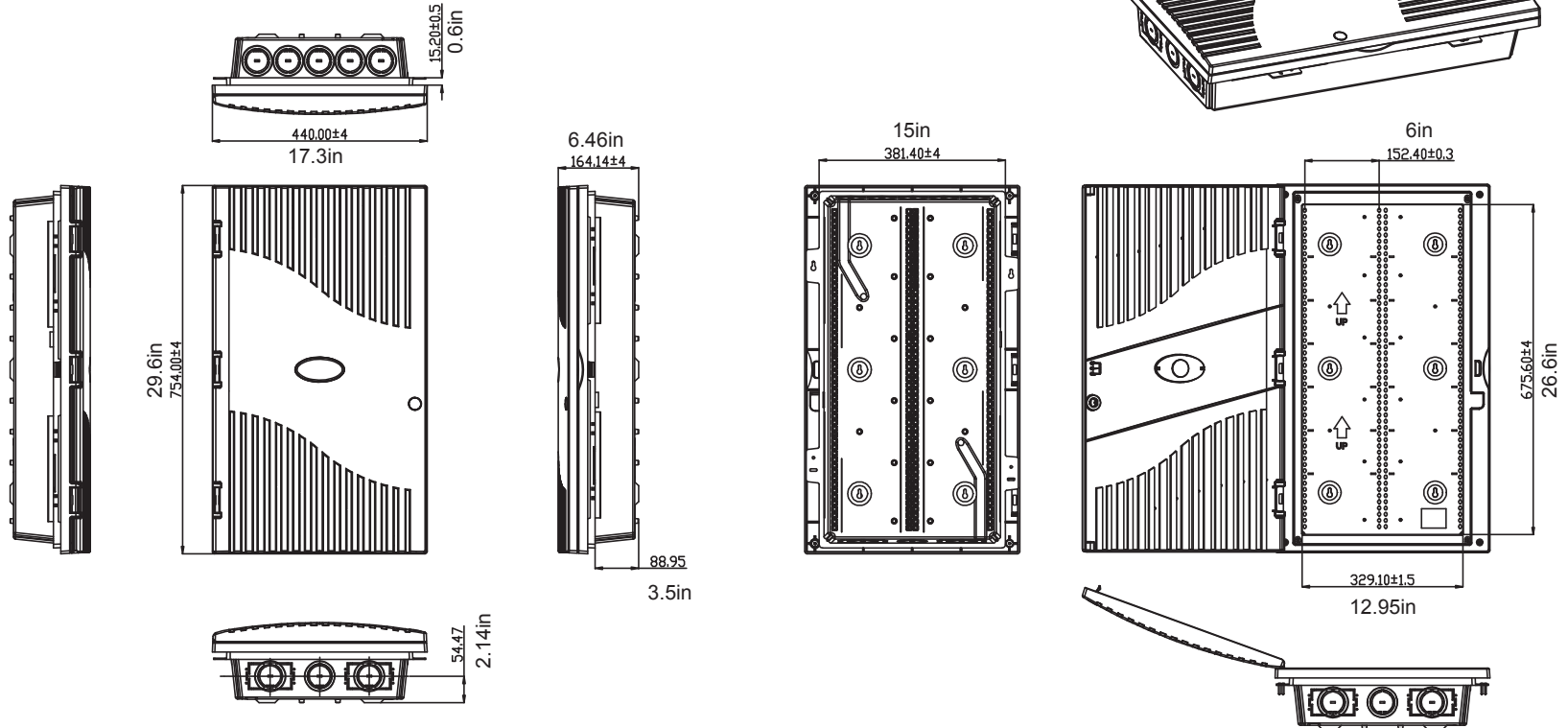


LIMITS	DEGREE CLASS	✓			
		A	B	C	D
10	以下	±0.02	±0.05	±0.10	±0.15
10~50	以下	±0.05	±0.10	±0.15	±0.20
50~120	以下	±0.10	±0.15	±0.20	±0.25
120~300	以下	±0.15	±0.20	±0.25	±0.30
300~500	以下	±0.20	±0.25	±0.30	±0.50
500~1000	以下	±0.25	±0.30	±0.35	±0.60
1000~1500	以下	±0.30	±0.35	±0.40	±0.70
ANGEL		±0.2°	±0.5°	±1.0°	±1.5°

SCP → **Structured Cable Products™**
Quality Installations Deserve Quality Products

ZONE	REV.	DESCRIPTION	DATE	APPROVED
	A	INITIAL RELEASE	03/23	



MODEL: HCC-28-KIT-ECPL	TITLE: Plastic 28" Enclosure, With Hinge	ELMA 1 <input checked="" type="checkbox"/>	ELMA2 <input type="checkbox"/>
DRAWN: Guobolian	PART NO.	UNIT	MM
DESIGNED:	MATERIAL	SCALE	1:1
CHECKED:	FINISH	SHEET	1 OF 1
APPROVED:	TOOLING NO.	SIZE	A4 REV. A
	DWG NO.		