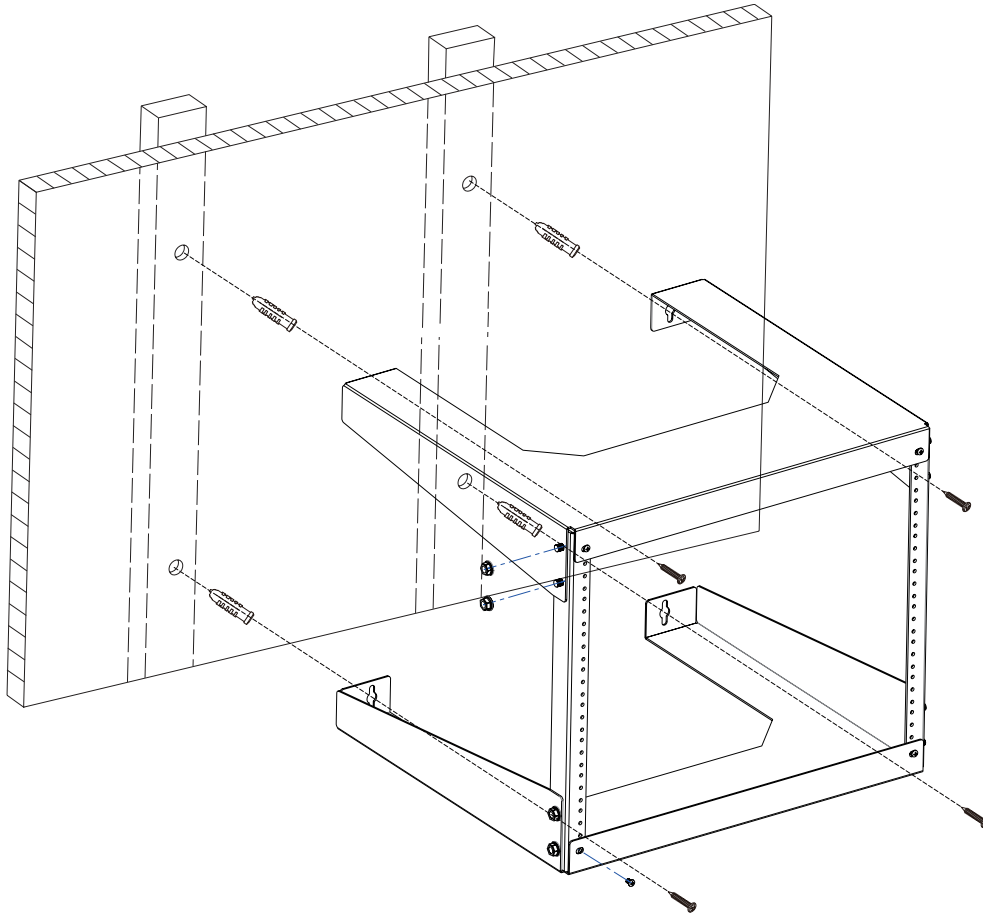


8U, 15U WALL MOUNT RACK INSTALLATION MANUAL



INSTALLATION INSTRUCTIONS

Use flange nuts and #10-32 x 1/2" screws to assemble the rack

Determine the appropriate mounting location for the rack

Drill four holes on wall according to the position of mounting holes on rear of top & bottom supports
Insert anchors (not included) into the drilled holes until they are flush with the wall

Use screws (not included) to secure the rack onto the wall

The unit is cable of supporting up to 125 lbs.



Structured Cable Products®
Quality Installations Deserve Quality Products

www.scpcat5e.com