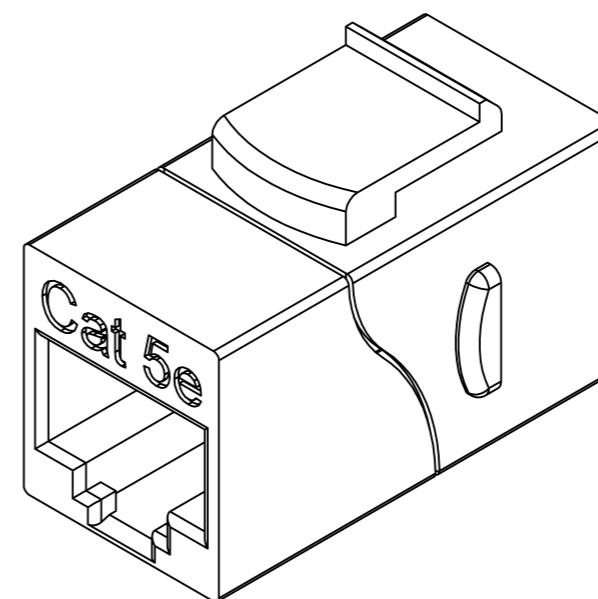
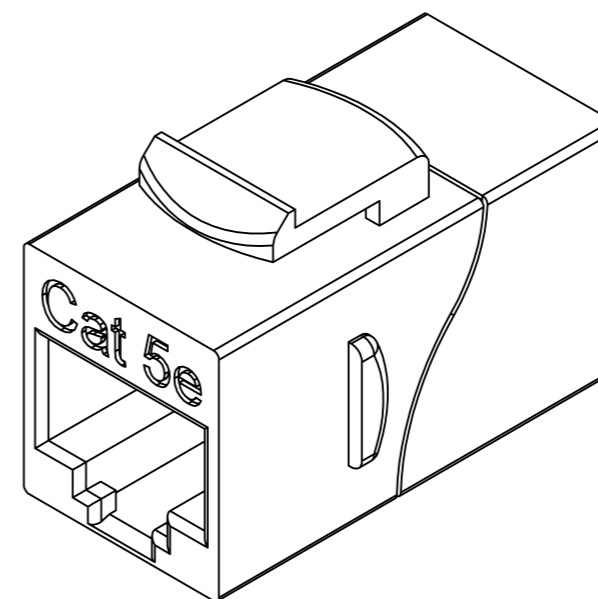
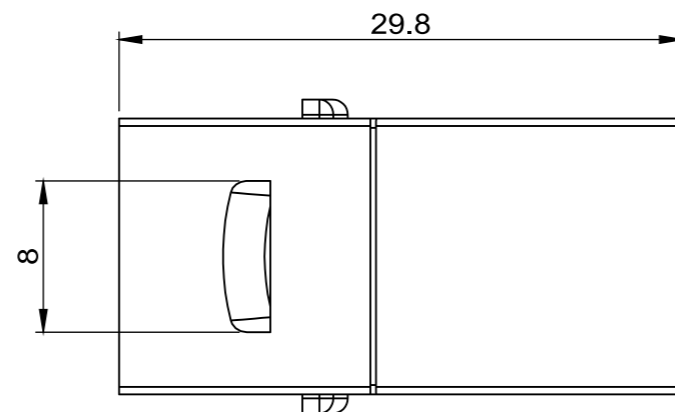
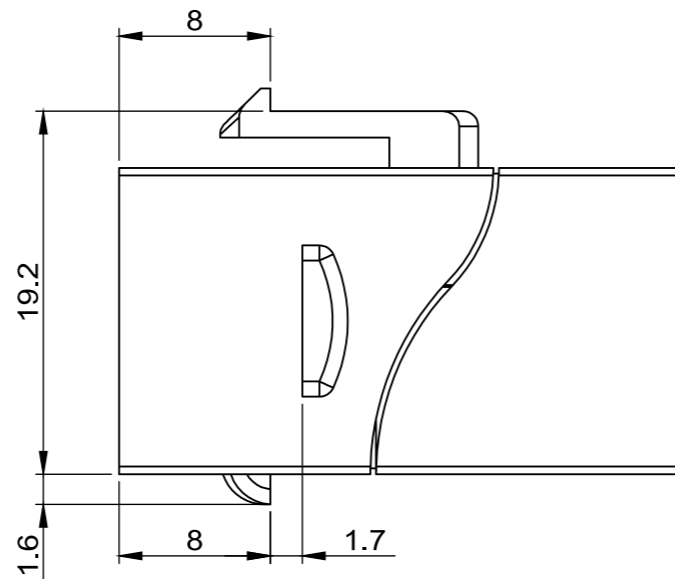
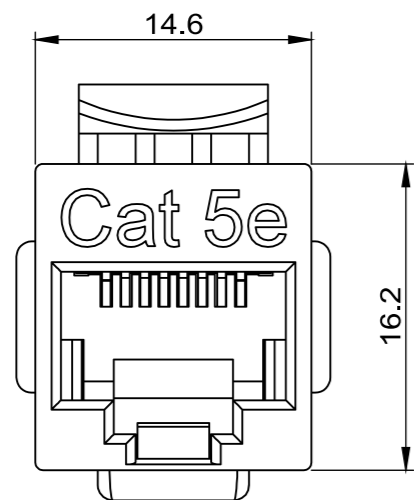
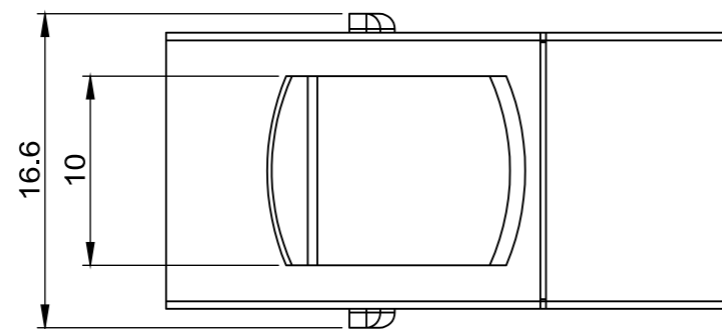
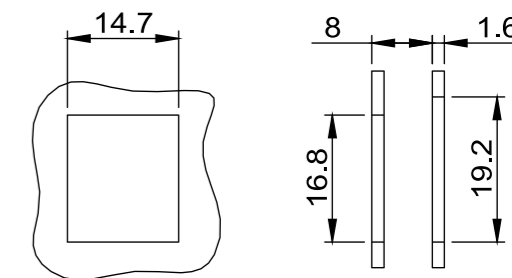


IEEE 802.3at Power over Ethernet Plus (PoEP) application  
IEC 60512-99-001 Mating and un-mating connectors under electrical load

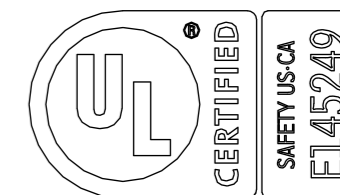


SUGGESTED MOUNTING CUTOUT



Cat 5e

56Y4  
E145249



**MATERIAL**

COUPLER HOUSING :PC, UL94V-0.  
CONTACT HOLDER : ABS, UL94V-0.  
JACK CONTACTS : PHOSPHOR BRONZE, 50U" GOLD PLATED.

**PHYSICAL CHARACTERISTICS**

INSERTION LIFE : 750 MATING CYCLES WITH FCC COMPLIANT 8P PLUG.  
PLUG RETENTION FORCE : 11 LBF MINIMUM.  
OPERATING TEMPERATURE RANGE : -10 °C TO 60 °C.  
STORAGE TEMPERATURE RANGE : -40 °C TO 68 °C.  
HUMIDITY : 10% TO 90% RH (NON-CONDENSING).

**ELECTRICAL**

INSULATION RESISTANCE : 500 MΩ MINIMUM.  
DC CURRENT RATING : 1.5 Amps.  
INPUT TO OUTPUT D.C. RESISTANCE : 200 mΩ MAXIMUM.  
CONTACT RESISTANCE : 20 mΩ MAXIMUM.  
VOLTAGE PROOF (CONTACT TO CONTACT) : 1000 V D.C. OR A.C. PEAK.

**NOTE**

- ONLY ACCEPT RJ-45 8P8C PLUG.

|                      |           |      |      |       |  |
|----------------------|-----------|------|------|-------|--|
| Scale                | 2.5:1     |      |      |       |  |
| 3rd Angle Projection |           |      |      |       |  |
| Unit                 | mm        |      |      |       |  |
| Date                 | 2020/3/31 |      |      |       |  |
| Tolerance            |           |      |      |       |  |
| ~20                  | ~50       | ~150 | 150~ | ANGLE |  |
| ±0.2                 | ±0.4      | ±0.5 | ±1.5 | ±2°   |  |

|   |   |
|---|---|
| All Copy Rights Reserved  |   |
|   | <b>Structured Cable Products®</b><br>Quality Installations Deserve Quality Products |
| PART# 104A  |   |
| Cat5e Feed-Thru Coupler - Keystone Module -<br>White or Black - 1ea/bag |   |